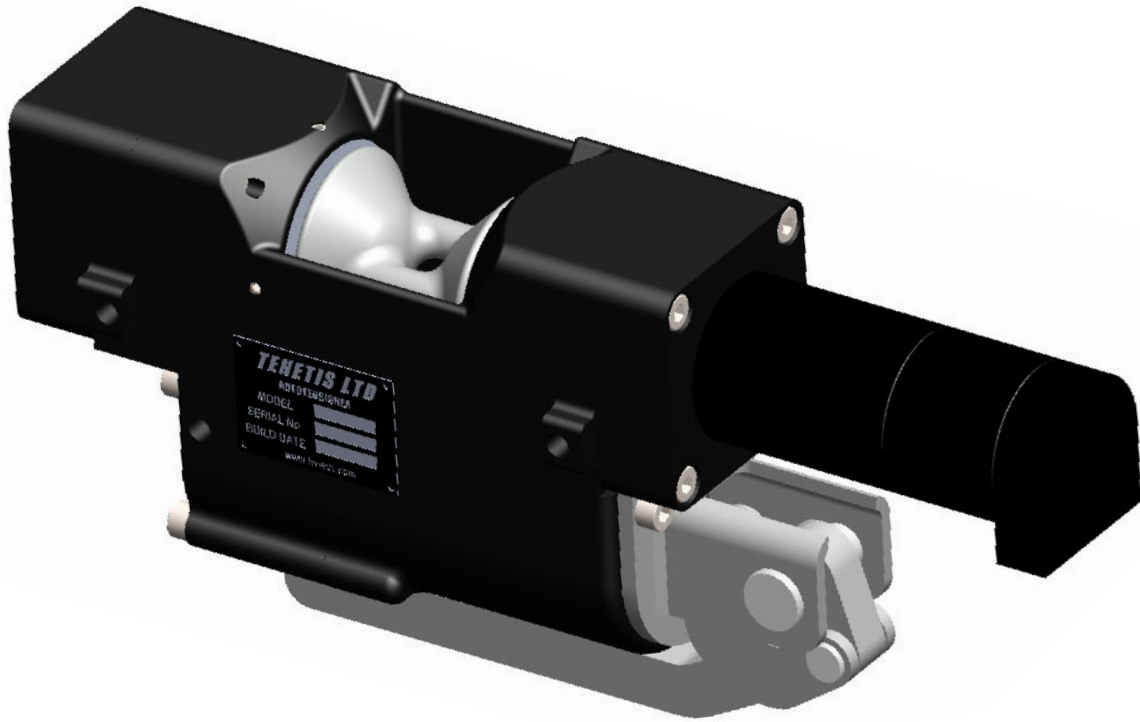


T2000 AUTO TENSIONER

DATA SHEET

TENETIS



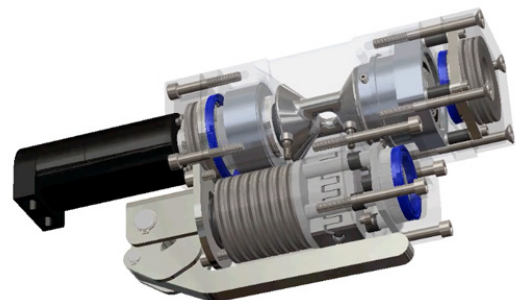
Model	T2000
Lashing Capacity	LC2000 daN
StF (line tension)	350 daN or 500daN
Weight	13kg
Operating Speed	100 RPM
Rope Strength	9 Tonne (min)
Power	Hydraulic
Operating Pressure	150 bar
Warranty	24 months
Maintenance	None Required

AUTOMATIC LOCKING

POWERED RELEASE

FITTED WITH 2M LENGTH OF TENETIS ROPE

3T SNAP HOOK AT THE ROPE WORKING END



T2000 AUTO TENSIONER

DATA SHEET

TENETIS

