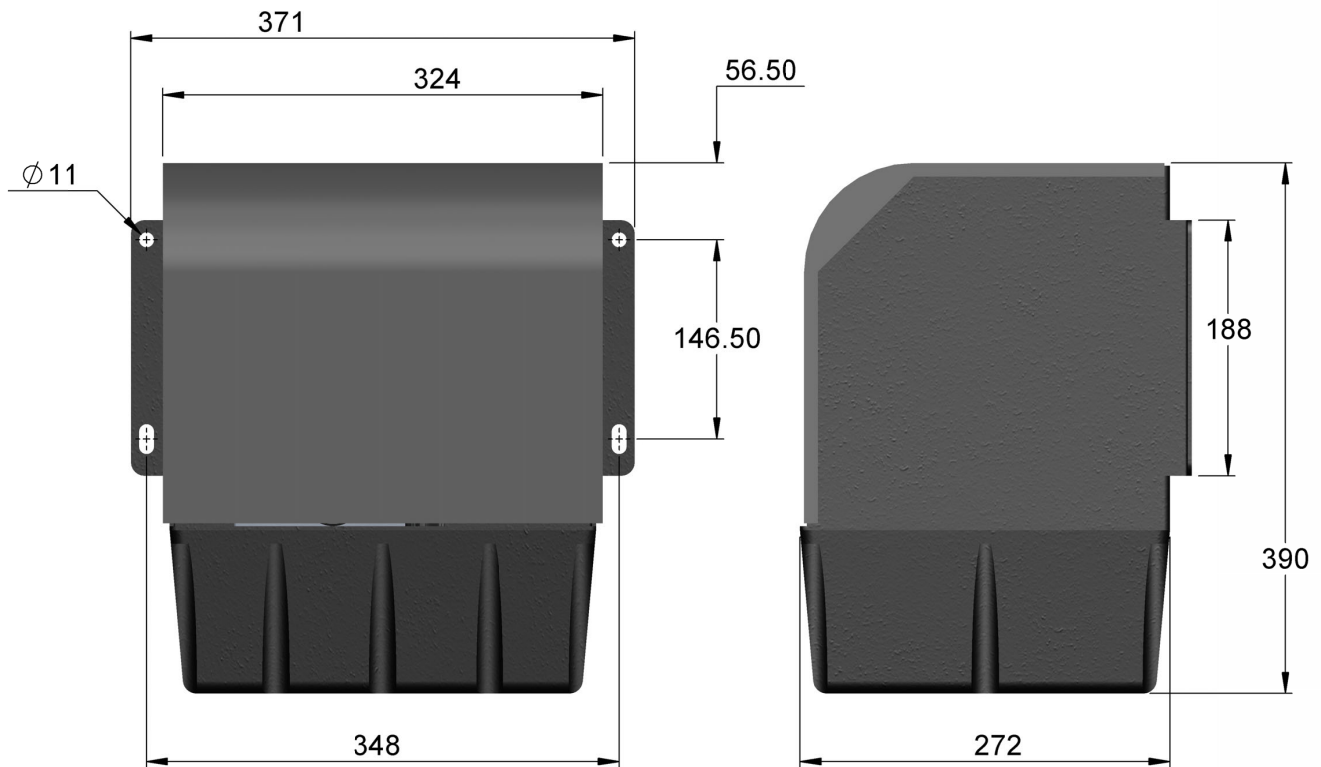


T2000 HPU MODULE

DATA SHEET

TENETIS



Model	HPU-1
Oil Capacity	7 litres
Maximum Pressure	150 bar
Weight	15.0kg
Flow Rate	5 L/min
Power	24v DC 2.2kW
Operating Pressure	110/140 bar
Warranty	24 months

